



TECHNICAL DATA

Measurements

Width, head open	1 160 mm
Width, head closed	870 mm
Weight (from)	560 kg
Height (in processing position)	1 240 mm
Length (in processing position)	1 185 mm
Optimal tree diameter	300 mm

Delimiting

Number of delimiting knives	3+1
Max opening of front knives	480 mm
Diameter front knives tip-to-tip	330 mm

Feeding

Type of feed	2WD
Diameter of feed rollers	350 mm
Max opening of feed rollers	420 mm

Hydraulics

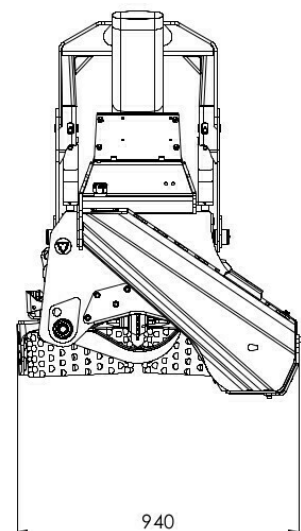
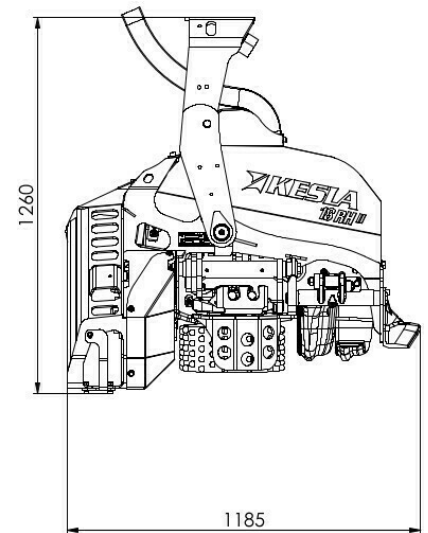
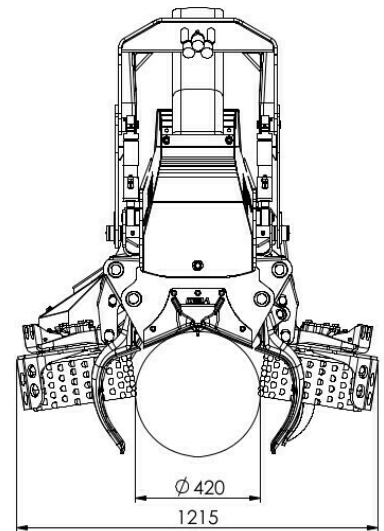
Recommended pressure min	210 bar
Max pressure	240 bar
Recommend oil flow min	150 l/min
Max oil flow	220 l/min

Electronics

Voltage	24 V
Current	15 A

Recommended base machine

Excavator min weight	7 t
Excavator max weight	10 t
Wheeled harvester min weight	7 t
Wheeled harvester max weight	12 t



SAW AND FEEDMOTOR CONFIGURATION

Chain Saw Options

F12-30, manual chain tensioner, manual saw control

Max cutting diameter	480 mm
Max guide bar length	59 cm
Chain pitch	0.404 "
Saw motor displacement	30 cc
Chain tightener	manual
Saw control	manual

F12-30, manual chain tensioner, auto saw control

Max cutting diameter	480 mm
Max guide bar length	59 cm
Chain pitch	0.404 "
Saw motor displacement	30 cc
Chain tightener	manual
Saw control	auto

F11-19, manual chain tensioner, manual saw control

Max cutting diameter	480 mm
Max guide bar length	59 cm
Chain pitch	0.404 "
Saw motor displacement	19 cc
Chain tightener	manual
Saw control	manual

F11-19, manual chain tensioner, manual saw control, short stump

Max cutting diameter	480 mm
Max guide bar length	59 cm
Chain pitch	0.404 "
Saw motor displacement	19 cc
Chain tightener	manual
Saw control	manual

F11-19, manual chain tensioner, auto saw control

Max cutting diameter	480 mm
Max guide bar length	59 cm
Chain pitch	0.404 "
Saw motor displacement	19 cc
Chain tightener	manual
Saw control	auto

JPS R5500 32cc saw with auto chain tensioner & auto saw control

Max cutting diameter	480 mm
Max guide bar length	59 cm
Chain pitch	0.404 "
Saw motor displacement	32 cc
Chain tightener	auto
Saw control	auto



KESLA HD30 with automatic chain tensioner, manual saw control

Max cutting diameter	480 mm
Max guide bar length	59 cm
Chain pitch	0.404 "
Saw motor displacement	30 cc
Chain tightener	auto
Saw control	manual

KESLA HD30 with automatic chain tensioner, auto saw control

Max cutting diameter	480 mm
Max guide bar length	59 cm
Chain pitch	0.404 "
Saw motor displacement	30 cc
Chain tightener	auto
Saw control	auto

Feed Motor Options**Poclain 400cc**

Feed motor displacement	400 cc
Feed force	17.5 kN
Feed speed	5 m/s
Recommended flow	220 l/min
Recommended engine power min	77 kW

Poclain 300cc

Feed motor displacement	300 cc
Feed force	13.1 kN
Feed speed	5 m/s
Recommended flow	165 l/min
Recommended engine power min	58 kW

OPTIONAL EQUIPMENT

Control valve

HA04-030-10	STD (mechanical clamping pressure control)
HA04-030-11	KESLA proCON

Saw bar pressure control

HA04-050-10	STD (Manual)
HA04-050-11	Proportional

Chain oil pump

HA04-060-10	Fixed volume, hydraulic
HA04-060-11	KESLA Prolube, electric adjustable

Feed roller

HA04-070-10	STD (KESLA steel rollers)
HA04-070-30	KESLA Multi stemming- rollers
HA04-070-50	Rollers with rubber cushion (MOIPU)
HA04-070-60	FINNSKOGSVALSEN
HA04-070-70	V-Tec

Length measuring

HA04-090-10	STD (measuring roller, spring-loaded)
HA04-090-12	measuring roller KESLA HydCON
HA04-090-13	STD w/ wide sprocket
HA04-090-14	KESLA hydCON w/ wide sprocket

Diameter measuring

HA04-100-10	No diameter measuring equipment installed
HA04-100-11	STD Analog sensor, current output (mA)
HA04-100-13	Analog sensor, voltage output (mV)

Wire harness for control system

HA04-110-10	None
HA04-110-11	Motomit
HA04-110-12	KESLA proLOG or xLogger
HA04-110-13	Dasa d4

Color marking

HA04-170-11

Stump treatment

HA04-180-11

Control valve for rotator

HA04-190-11	PROPO, proportional control
HA04-190-12	ON/OFF

Control of rear knife 18RH-II

HA04-195-10	No dedicated valve, control shared with front knives
HA04-195-11	Valve STD at place of hydCON-valve
HA04-195-12	Valve KESLA proCON at place of hydCON-valve
HA04-195-13	Valve STD at place of rotator valve
HA04-195-14	Valve KESLA proCON at place of rotator valve

Spare hose kit

HA04-220-11

Spare parts kit

HA04-230-11	STD kit (for a head with measuring wheel)
HA04-230-12	BASIC kit (w/o sensors)

Tool kit

HA04-240-11	KESLA special tool kit
HA04-240-12	Universal tool kit
HA04-240-13	KESLA special tool kit + Universal tool kit

Rotator & link

HA04-250-20	Indexator AV12S + link w/o swing damper
HA04-250-21	Indexator AV12S link w/ single swing damper S-80
HA04-250-22	Indexator AV12S + link w/ double swing damper S-80
HA04-250-23	Indexator AV12S + link w/ double swing damper S-100
HA04-250-30	Finnrotor FR23M + link 200 mm w/o swing damper
HA04-250-40	Indexator GV6 + link S80/45 w/ single swing damper
HA04-250-41	Indexator GV6 + link S80/45 w/ dual swing damper

Control and Measuring System

HA04-260-11	KESLA xLogger with Priority-Bucking software
HA04-260-12	KESLA proLOG
HA04-260-14	KESLA xLogger with Bucking-to-value software

Installation kit for control and measuring system

HA04-270-11

Joystick grips

HA04-280-11	SUREGRIP with 2x10 buttons preset keypads
HA04-280-12	SUREGRIP with 1x10 buttons preset keypad
HA04-280-15	SVAB grips