



## TECHNICAL DATA

### Measurements

Width, head open	950 mm
Width, head closed	855 mm
Weight (from)	540 kg
Height (in processing position)	1 354 mm
Length (in processing position)	1 460 mm
Optimal tree diameter	300 mm

### Delimiting

Number of delimiting knives	2+1
Max opening of front knives	480 mm
Diameter front knives tip-to-tip	330 mm

### Feeding

Type of feed	Stroke feed
Length of stroke	750 mm
Max opening of feed jaws	520 mm
Stroke force	41 kN

### Hydraulics

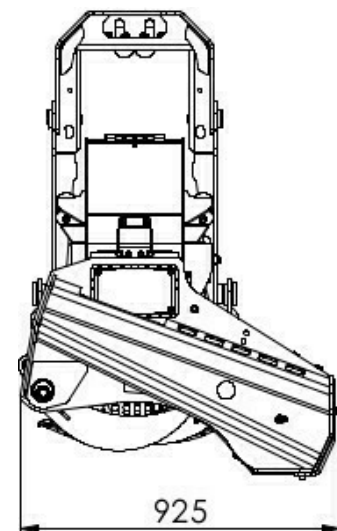
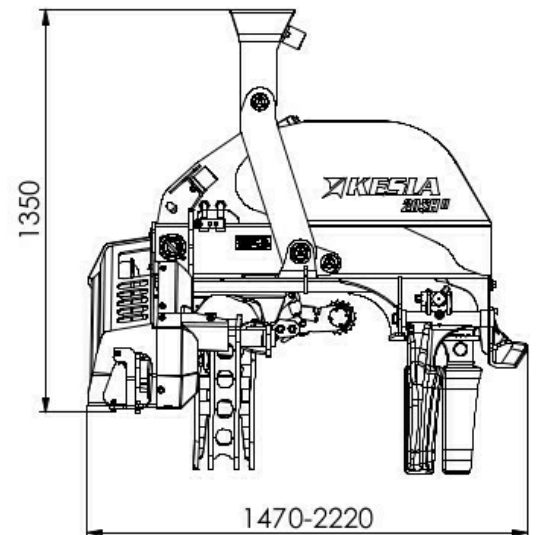
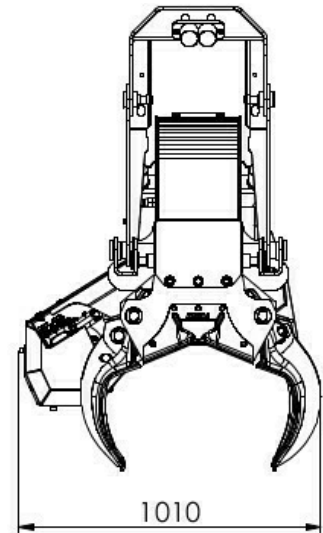
Recommended pressure min	175 bar
Max pressure	220 bar
Recommend oil flow min	100 l/min
Max oil flow	150 l/min

### Electronics

Voltage	24 V
Current	15 A

### Recommended base machine

Excavator min weight	7 t
Excavator max weight	12 t
Wheeled harvester min weight	7 t
Wheeled harvester max weight	13 t



## SAW AND FEEDMOTOR CONFIGURATION

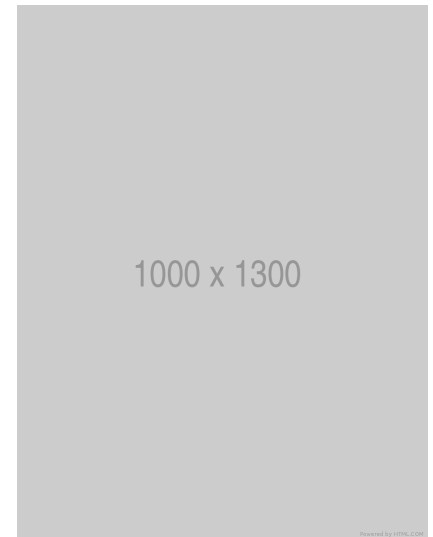
### Chain Saw Options

#### F11-19, manual chain tensioner, manual saw control

Max cutting diameter	540 mm
Max guide bar length	64 cm
Chain pitch	0.404 "
Saw motor displacement	19 cc
Chain tightener	manual
Saw control	manual

#### F11-10, manual chain tensioner, manual saw control

Max cutting diameter	540 mm
Max guide bar length	64 cm
Chain pitch	0.404 "
Saw motor displacement	19 cc
Chain tightener	manual
Saw control	manual



## OPTIONAL EQUIPMENT

### Chain oil pump

HA07-060-10	Fixed volume, hydraulic
HA07-060-11	KESLA Prolube, electric adjustable

<b>Floating valve for tilt</b>	HA07-065-11
--------------------------------	-------------

### Length measuring

HA07-090-10	STD (measuring roller, spring-loaded)
HA07-090-18	Measuring roller + linear position sensor
HA07-090-19	Linear position sensor

### Diameter measuring

HA07-100-10	No diameter measuring equipment installed
HA07-100-11	STD Analog sensor, current output (mA)

<b>Connector block for hoses</b>	HA07-150-11
----------------------------------	-------------

### Control valve for rotator

HA07-190-11	PROPO, proportional control
HA07-190-12	ON/OFF

<b>Top saw</b>	HA07-200-11
----------------	-------------

<b>Find end sensor</b>	HA07-210-11
------------------------	-------------

### Connectors for main hoses

HA07-212-10	JIC
HA07-212-11	BSP

<b>Spare hose kit</b>	HA07-220-11
-----------------------	-------------

<b>Spare parts kit</b>	HA07-230-11
------------------------	-------------

### Tool kit

HA07-240-11	KESLA special tool kit
HA07-240-12	Universal tool kit
HA07-240-13	KESLA special tool kit + Universal tool kit

### Rotator & link

HA07-250-11	Black Bruin BBR15HD + link 250 mm w/ dual swing damper (#3160256)
HA07-250-20	Indexator AV12S + link w/o swing damper
HA07-250-21	Indexator AV12S link w/ single swing damper S-80
HA07-250-22	Indexator AV12S + link w/ double swing damper S-80
HA07-250-23	Indexator AV12S + link w/ double swing damper S-100
HA07-250-30	Finnrotor FR23M + link 200 mm w/o swing damper

**Installation kit for  
control and measuring  
system**

HA07-270-11

**Joystick grips**

HA07-280-11	SUREGRIP with 2x10 buttons preset keypads
HA07-280-12	SUREGRIP with 1x10 buttons preset keypad
HA07-280-13	KESLAGrip with 1x10 buttons preset keypad (for SH heads only)
HA07-280-14	KESLAGrip with 2x10 buttons preset keypads (for SH heads only)
HA07-280-15	SVAB grips