

TECHNICAL DATA

Measurements

Width, head open	1 040 mm
Width, head closed	815 mm
Weight (from)	445 kg
Height (in processing position)	1 100 mm
Length (in processing position)	1 110 mm
Optimal tree diameter	250 mm

Delimiting

Number of delimiting knives	4+1
Max opening of front knives	480 mm
Max opening of rear knives	500 mm
Diameter front knives tip-to-tip	330 mm

Feeding

Type of feed	2WD
Diameter of feed rollers	290 mm
Max opening of feed rollers	350 mm

Hydraulics

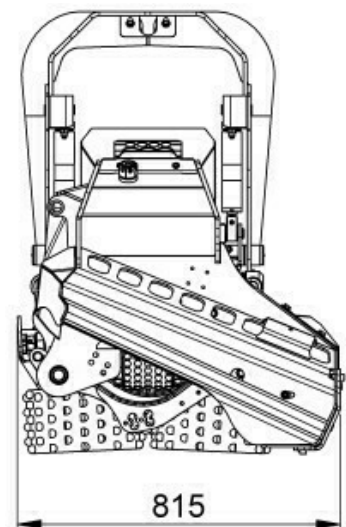
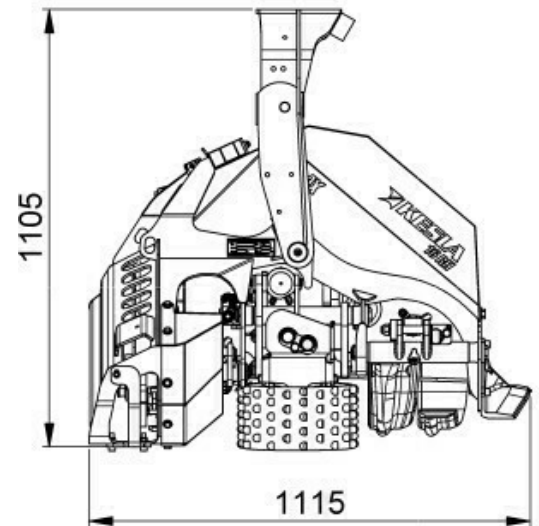
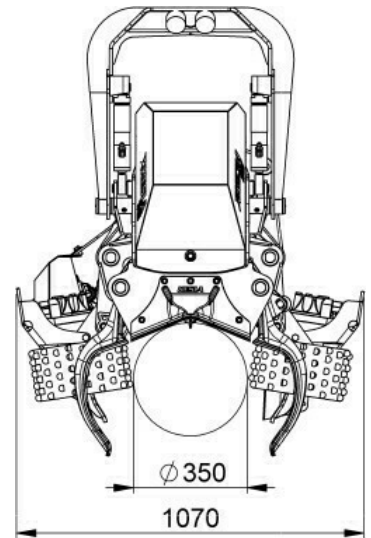
Recommended pressure min	210 bar
Max pressure	250 bar
Recommend oil flow min	135 l/min
Max oil flow	170 l/min

Electronics

Voltage	24 V
Current	15 A

Recommended base machine

Excavator min weight	5 t
Excavator max weight	7 t
Wheeled harvester min weight	6 t
Wheeled harvester max weight	10 t



SAW AND FEEDMOTOR CONFIGURATION

Chain Saw Options

F11-19, manual chain tensioner, manual saw control

Max cutting diameter	430 mm
Max guide bar length	54 cm
Chain pitch	0.404 "
Saw motor displacement	19 cc
Chain tightener	manual
Saw control	manual

F11-19, manual chain tensioner, auto saw control

Max cutting diameter	430 mm
Max guide bar length	54 cm
Chain pitch	0.404 "
Saw motor displacement	19 cc
Chain tightener	manual
Saw control	auto

F11-10, manual chain tensioner, manual saw control

Max cutting diameter	430 mm
Max guide bar length	54 cm
Chain pitch	0.404 "
Saw motor displacement	19 cc
Chain tightener	manual
Saw control	manual

F11-10, manual chain tensioner, auto saw control

Max cutting diameter	430 mm
Max guide bar length	54 cm
Chain pitch	0.404 "
Saw motor displacement	19 cc
Chain tightener	manual
Saw control	auto

Feed Motor Options

Danfoss 315cc

Feed motor displacement	315 cc
Feed force	15 kN
Feed speed	5 m/s
Recommended flow	200 l/min
Recommended engine power min	67 kW

Danfoss 250cc

Feed motor displacement	250 cc
Feed force	13 kN
Feed speed	5 m/s
Recommended flow	165 l/min
Recommended engine power min	53 kW



OPTIONAL EQUIPMENT

Control valve

HA05-030-10	STD (mechanical clamping pressure control)
HA05-030-11	KESLA proCON

Feed roller

HA05-070-10	STD (KESLA steel rollers)
-------------	---------------------------

Diameter measuring

HA05-100-10	No diameter measuring equipment installed
HA05-100-11	STD Analog sensor, current output (mA)
HA05-100-13	Analog sensor, voltage output (mV)

Wire harness for control system

HA05-110-10	None
HA05-110-11	Motomit
HA05-110-12	KESLA proLOG or xLogger

Color marking

HA05-170-11

Stump treatment

HA05-180-11

Control valve for rotator

HA05-190-11	PROPO, proportional control
HA05-190-12	ON/OFF

KESLA proAX

HA05-215-11

Spare hose kit

HA05-220-11

Spare parts kit

HA05-230-11

Tool kit

HA05-240-11	KESLA special tool kit
HA05-240-12	Universal tool kit
HA05-240-13	KESLA special tool kit + Universal tool kit

Rotator & link

HA05-250-30

Control and Measuring System

HA05-260-11	KESLA xLogger with Priority-Bucking software
HA05-260-12	KESLA proLOG
HA05-260-14	KESLA xLogger with Bucking-to-value software

Installation kit for control and measuring system

HA05-270-11

Joystick grips

HA05-280-11	SUREGRIP with 2x10 buttons preset keypads
HA05-280-12	SUREGRIP with 1x10 buttons preset keypad
HA05-280-15	SVAB grips