



TECHNICAL DATA

Measurements

Width, head open	1 120 mm
Width, head closed	1 015 mm
Weight (from)	920 kg
Height (in processing position)	1 450 mm
Length (in processing position)	1 570 mm
Optimal tree diameter	450 mm

Delimiting

Number of delimiting knives	4+1
Max opening of front knives	480 mm
Max opening of rear knives	600 mm
Diameter front knives tip-to-tip	390 mm

Feeding

Type of feed	Stroke feed
Length of stroke	850 mm
Max opening of feed jaws	720 mm
Stroke force	65 kN

Hydraulics

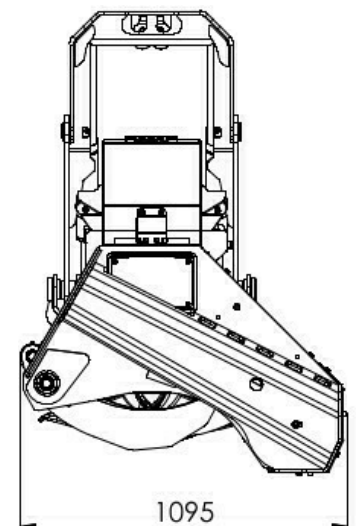
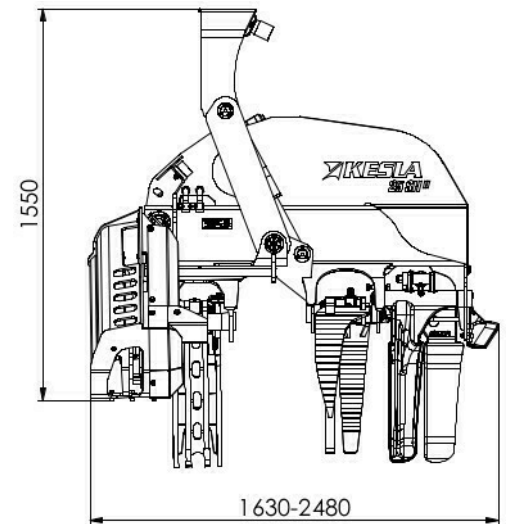
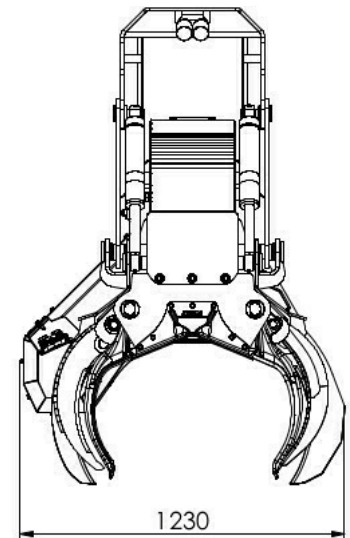
Recommended pressure min	175 bar
Max pressure	210 bar
Recommend oil flow min	120 l/min
Max oil flow	180 l/min

Electronics

Voltage	24 V
Current	15 A

Recommended base machine

Excavator min weight	12 t
Excavator max weight	16 t
Wheeled harvester min weight	10 t
Wheeled harvester max weight	16 t



SAW AND FEEDMOTOR CONFIGURATION

Chain Saw Options

F11-19, manual chain tensioner, manual saw control

Max cutting diameter	600 mm
Max guide bar length	75 cm
Chain pitch	0.404 "
Saw motor displacement	19 cc
Chain tightener	manual
Saw control	manual



OPTIONAL EQUIPMENT

Chain oil pump

HA06-060-10	Fixed volume, hydraulic
HA06-060-11	KESLA Prolube, electric adjustable

Floating valve for tilt

HA06-065-11

Length measuring

HA06-090-10	STD (measuring roller, spring-loaded)
HA06-090-18	Measuring roller + linear position sensor
HA06-090-19	Linear position sensor

Diameter measuring

HA06-100-10	No diameter measuring equipment installed
HA06-100-11	STD Analog sensor, current output (mA)

Connector block for hoses

HA06-150-11	YES
-------------	-----

Control valve for rotator

HA06-190-11	PROPO, proportional control
HA06-190-12	ON/OFF

Top saw

HA06-200-11

Find end sensor

HA06-210-11

Connectors for main hoses

HA06-212-10	JIC
HA06-212-11	BSP

Spare hose kit

HA06-220-11

Spare parts kit

HA06-230-11

Tool kit

HA06-240-11	KESLA special tool kit
HA06-240-12	Universal tool kit
HA06-240-13	KESLA special tool kit + Universal tool kit

Rotator & link

HA06-250-11	Black Bruin BBR15HD + link 250 mm w/ dual swing damper (#3160256)
HA06-250-13	Indexator AV 17 (#3160469) + link w/o swing damper (#90019958)
HA06-250-20	Indexator AV12S + link w/o swing damper
HA06-250-21	Indexator AV12S link w/ single swing damper S-80
HA06-250-22	Indexator AV12S + link w/ double swing damper S-80
HA06-250-23	Indexator AV12S + link w/ double swing damper S-100

**Installation kit for
control and measuring
system**

HA06-270-11

Joystick grips

HA06-280-11	SUREGRIP with 2x10 buttons preset keypads
HA06-280-12	SUREGRIP with 1x10 buttons preset keypad
HA06-280-13	KESLAGrip with 1x10 buttons preset keypad (for SH heads only)
HA06-280-14	KESLAGrip with 2x10 buttons preset keypads (for SH heads only)
HA06-280-15	SVAB grips